



DREAM LIGHT Workshop

User Manual

A large blue graphic consisting of two overlapping rounded rectangular shapes. The left shape is wider and shorter, while the right shape is narrower and taller. They overlap in the center, creating a white, curved, double-lined effect.

DLW L600BSW IP

Guangzhou Dream Lighting Equipment Co., LTD

Contents

Safety Information	3/4
Package & Transportation	5
Fixture Package	5
Transport protection lock	5
Unpacking	5
Accessories with fixture	5
Product Introduction Specification	6
Electrical parameters	6
Light Source parameters	6
Optics parameters	6
Effect configuration	6
Fixture Movement	6
Electronic Control	6
Color System	7
Gobo System	8
Gobo Specifications	9
Fixture size & Weight	10
Operation Panel Instruction	10
Panel Instructions	10
Detailed Operation Table of Display panel	11/12
Signal Connection	13
Power Connection	14
Connection type	14
Installation instruction & requirement	15
G- clamp Installation	15

Fixture Installation	15
Fixture Placement	16
DMX Channel Sheet (Brief)	17
DMX Specific Channel Sheet	18/19/20/21
Maintenance & cleaning of the fixture	22
Troubleshooting	22/23
Attachment 1 Angle range and the measurement figure of the fixture	24/25
Attachment 2 Electrical Diagram.....	26

Safety Information




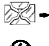

Note: Please check the complete package after received , and please unpack and check if the fixture is damaged during shipping. If the fixture is damaged during shipping, please do not use it and contact the manufacturer/local technicians as soon as possible.

The following identifications are used to identify the product and identify the important safety information in the user manual.

Warning!	Warning! See user documentation.	Warning! Hazardous voltage. Risk of lethal or severe electric shock.	Properly grounded	Warning! Intense light emission.	Warning! High surface temperature Don't touch!	Warning! Must wear gloves!
				$t_a \dots ^\circ\text{C}$		
Warning! Fire hazard.	Do not stare at the operating light source	Do not interfere with the track of the operating fixture	Minimum distance of illuminated objects(m)	Rated maximum ambient temperature!	Don't install the fixture on the surfact of combustible materials!	Replace any cracked protective shields

Notes:

- The fixture is used professionally only, please don't used it for any other purposes.
- Please refer to the latest user manual before using the fixture. The fixture is out of warranty if problems are caused by any incorrect use or negligence of the user manual.
- The protection level rate is IP66.
- In order to avoid damage the fixture, it is required more than 1 person when moving the fixture. When hanging the fixture, the hanging device must be tested. The hanging device should be able to bear more than 6 times of weight of the fixture.
Please make sure the housing and G-clamp are fixed and do not have damage after installed. Please use the safety chain to keep the fixture fixed on the truss safely.
- The fixture should be installed in a well-ventilated place. Keep the distance of the fixture and the obstacles more than 0.5 meter, and please check the fans and ventilation hole sare not blocked.

- Please don't install the fixture on the surfaces of the inflammable goods directly.
- Please check the voltage before the professional technicians install the fixture.
The voltage must be the same with the voltage which marked on the fixture.
Overloading protection or leakage protection are also required.
- When replacing the fuse of a fixture, please check whether the fuse meets the specified technical requirements. Do not replace or short-circuit it without allowed. Please confirm whether the input voltage meets the specified technical requirements and is correctly grounded before powering on.
- Please cut off the power supply when replacing the fuse. ()
- Rated maximum ambient temperature when the fixture is working: $t_a = 40^{\circ}\text{C}$.
- The safe/shortest distance to the illuminate object: 5m.
- when the fixture working stably, the maximum surface temperature: $t_c = 75^{\circ}\text{C}$.
- The shortest safety distance to combustible material: 0.7m.
- Please don't touch the fixture when it is working stably. It's highest surface temperature can reach 75°C .
- The fixture must be positioned in such a way that it is not subjected to prolonged observation from a distance of less than 3.5 meters.
- Please don't stare at the working fixture directly without any eye protection.
- Please replace the protective cover and lens if any visible damage happened or the damage has reached the malfunction level. ( )
- The fixture must be installed, operated, and maintained by professionals strictly according to the user manual.
- All the information of the user manual is for your reference only. All fixtures should be subject to the actual product, which is subject to change without prior notice.

Package & Transportation

Fixture package

- Please cut off the power supply and cool it down for over 15minutes before packing the fixture.
- Lock the protection lock for tilt well.
- Please place the fixture in the plastic bag, and then carefully put it into the flight case vertically, the accessories are placed at special area in flight case, then close the lid and lock the flight case. Please don't put it upside down.

Transport protection lock

- Protective locks for tilt movement are installed in the fixture for safe transportation.

Unpacking

- Open the packing box, and then open the inner packing bag.
- Grasp the handle of the fixture, take it out from the case carefully.
- Unlock the protective lock before power on the fixture.

Notice: Please check the complete package after received the fixture, please check whether the fixture is damaged or not during shipping after opened the packing. If the fixture is damaged during shipping, please don't use it first, and contact the manufacture/local technicians as soon as possible.

Accessories with fixture

Accessories	Qty
User Manual	1
Warranty Card	1
Safety Chain	1
Signal Cable	1
Power Cable	1
Fixture Hook	2
Hexagonal stainless steel screws M10x25	4
Stainless steel screws spacer \varnothing 10	4

Product Introduction Specifications

Electrical parameters

AC100 - 240V 50 / 60 Hz

Input Power:800W rated electrical current:8A, PF≥0.98

Light Source parameters

- Light source : 600W LED white source module(high brightness).
- LED module expected lifespan:20000Hrs.

Optics parameters

- Lens:High-definition lens with anti-reflective film.
- Zoom range: 3°~42°

Effect configuration

- 2 prisms, one is 3-facet linear and one is 6-facet circle, can be independent and overlapping combined, can be bidirectional rotating, can be auto-focus.
- Two atomized frosts with high-bright output.
- 0-100% linear dimmer, 4 dimming curve options, 4 dimming speed options.
- Electric strobe 1-25Hz, multiple strobe effects.

Fixture movement

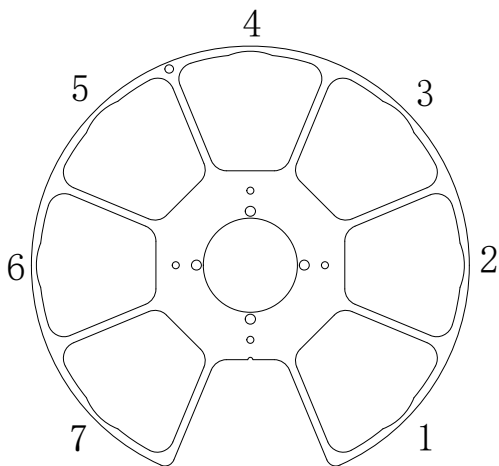
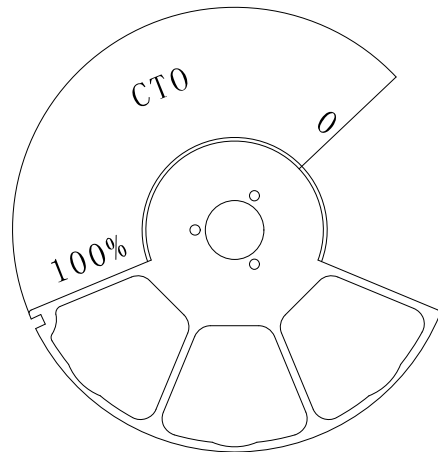
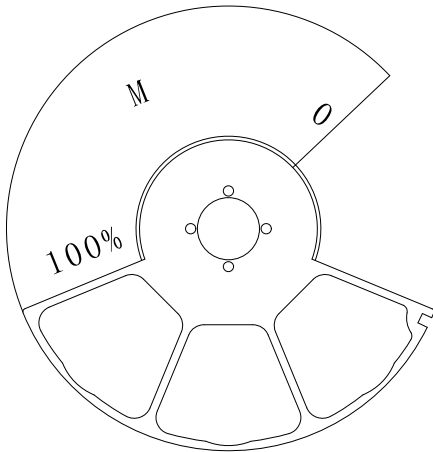
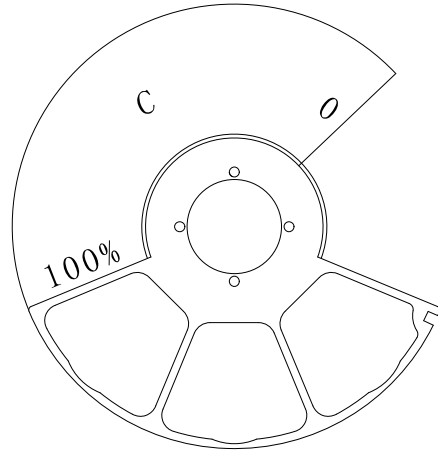
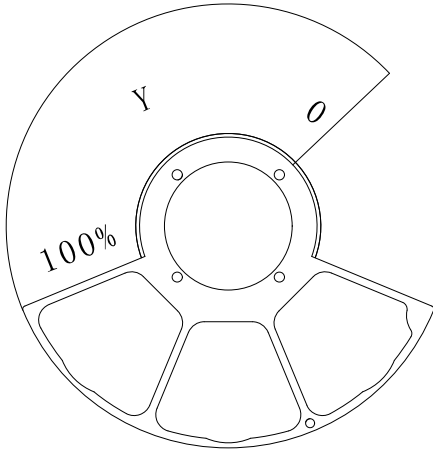
- PAN=540°, 16bit.
- TILT=270°, 16 bit.

Electronic Control

- Channel:25Ch/29Ch/38Ch.
- Control Protocols:DMX512,RDM,Art-Net,sACN,wireless function(optional).
- Control Portals: XLR-3+ XLR-5; RJ45 (optional).
- Menu display: 2.4" LCD screen; choice of Chinese and English language, menu available to be displayed 180° reversely.
- Electronic sensors testing, fan intelligent detect and controllable.
- Eco mode(sleep mode when standby)
- Non-touching magnetic encoder positionable system for pan/tilt.

Color System

- CMY infinite color mixing, high saturated color (RGB) output, pure colors.
- CTO color temperature, 2700K-6900K linear adjustment.
- 9 color filters (Pic1).

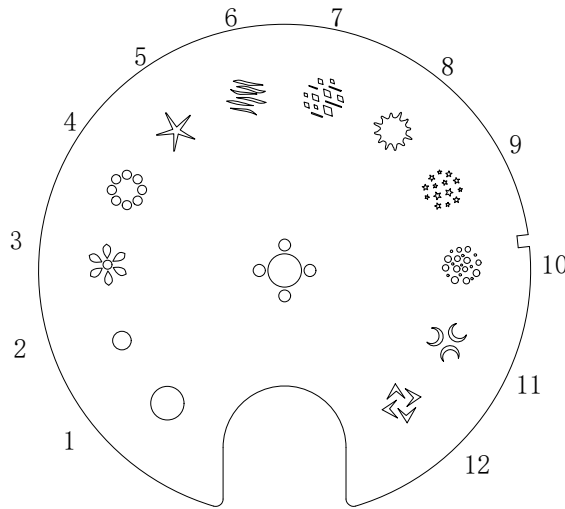


- 1.High CRI
- 2.Pink
- 3.Orange
- 4.Purple
- 5.Deep Blue
- 6.Green
- 7.Deep Red

Pic1

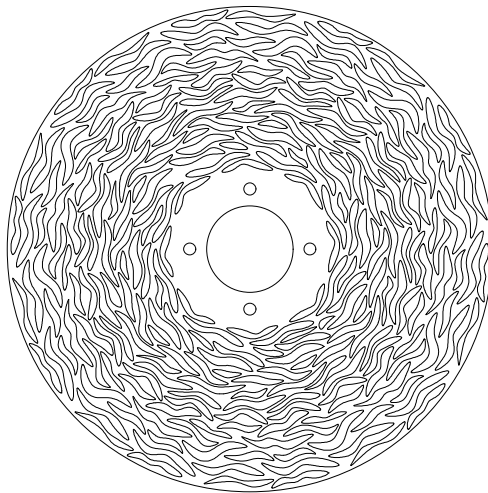
Gobo System

- 1 static gobo wheel, 12 gobos plus open, bi-directional scrolling. (Pic2)



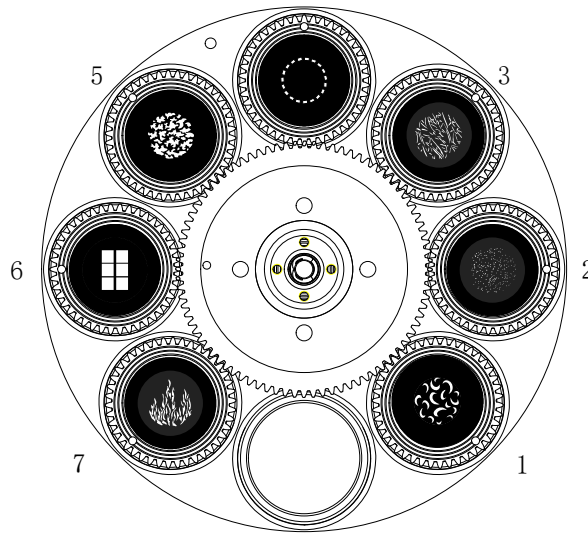
Pic2

- 1 Gobo animation wheel, cloud, fire, water flowing.



Pic3

- 1 rotating gobo wheel with 7 unique gobos + 1 open circle, can bi-directional rotate with effects of self-rotation, scrolling and shaking, the gobos can be accurately controlled at 16bit.



Pic4

Gobo Specifications

- The gobo plates are made from material, it can be customized according to user needs.

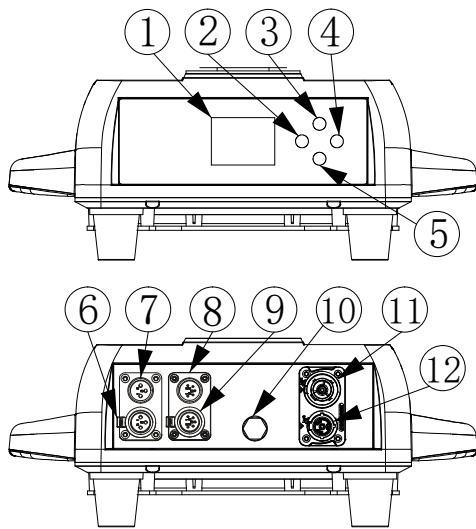
The size for customized gobo plates:

Material	Outer diameter	Effective Diameter	Thickness
Metal Gobo	∅22.8mm	∅ 12mm	0.5mm
Gobo plates adopt high temperature glass(or high temperature metal)			

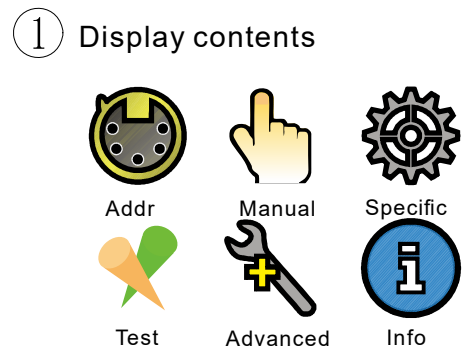
Fixture Size& Weight:

- Fixture size:389X389X697mm
- Net weight:29Kg
- IP Grade:IP66
- Flight case: 908X560X910mm(2 positions)
- Flight case net weight:45kg

Operation Panel Instruction



Pic5



Pic6







As shown in pic 5:

- | | | | | |
|--------------------|-------------------|-------------------|--------------------|--------|
| 1.LCD display | 2.Menu(Return) | 3.Up | 4.Enter | 5.Down |
| 6.3-XLR DMX Output | 7.3-XLR DMX Input | 8.5-XLR DMX Input | 9.5-XLR DMX Output | |
| 9.Air valve | 11.Power Output | 12.Power Input | | |

Panel Instructions

- Up Direction key:Select Sub-menu cyclically(upward).Circulate downward to adjust data value.
- Down Direction key: Select Sub-menu cyclically (downward). Circulate downward to adjust data value.
- Left Direction key(Back):Back to menu.
- Right Direction key(Confirm):Confirm the selected data value reselect cyclical data window.

Detailed Operation Table of Display panel

Addr 	DMX512 Address	001~512	
	Channel Mode	Basic	
		Standard	
		Extend	
		Extend2	
	No DMX Mode	Dmx hold	
	Black out		
Manual 	Channel		
	
	
	Fixture Reset	NO,YES	
Specific 	Pan Inverse	Off,On	
	Tilt Inverse	Off,On	
	PT Encoder	Off,On	
	PT Speed	FAST,NORMAL,SLOW	
	Dim Curve	Curve 1,Curve 2,Curve 3,Curve 4	
	LED PWM	1.2KHz~ 6KHz~ 12KHz~ 24KHz~ 25KHz	
	Dim Speed	Speed1,Speed2,Speed3,Speed4	
	FAN mode	Theater,Quiet,AUTO,HIGH	
	Display blackout	Off,On	
	Display inverse	Off,On	
	Key Lock	Off,On	
	Language	English,English2	
	Sleep Mode	Off,On	
	Fixture Mode	
	Color Inverse	NO,YES	
Chasing mode	Off,chasing mode1,chasing mode2,chasing mode3		
Test 	Auto test		
		NO	
		YES	
Advanced 	Factory Reset	NO	
		YES	
	Fixture Time Reset	NO	
		YES	
	Calibration
	
Info 	Fixture Hour	Fixture Hour	XXXXXX
		LED Hour	XXXXXX
		Maintenance	XXXXXX
	Version	PANEL :	XXXX
		XY :	XXXX
		DRV1:	XXXX
		DRV2:	XXXX
		DRV3:	XXXX
		DRV4:	XXXX

	DRV5:	XXXX
	DRV6:	XXXX
Tempareture	PANEL Temp:	XXX-XXX
	XY Temp:	XXX-XXX
	DRV1 Temp:	XXX-XXX
	DRV2 Temp:	XXX-XXX
	DRV3 Temp:	XXX-XXX
	DRV4 Temp:	XXX-XXX
	DRV5 Temp:	XXX-XXX
	DRV6 Temp:	XXX-XXX
Fan Speed	PANEL Fan:	XXXX-XXXX
	XY Fan:	XXXX-XXXX
	DRV1 Fan:	XXXX-XXXX
	DRV2 Fan:	XXXX-XXXX
	DRV3 Fan:	XXXX-XXXX
	DRV4 Fan:	XXXX-XXXX
	DRV5 Fan:	XXXX-XXXX
	DRV6 Fan:	XXXX-XXXX
RDMID	XXXXXXXX	
System Error	NONE	

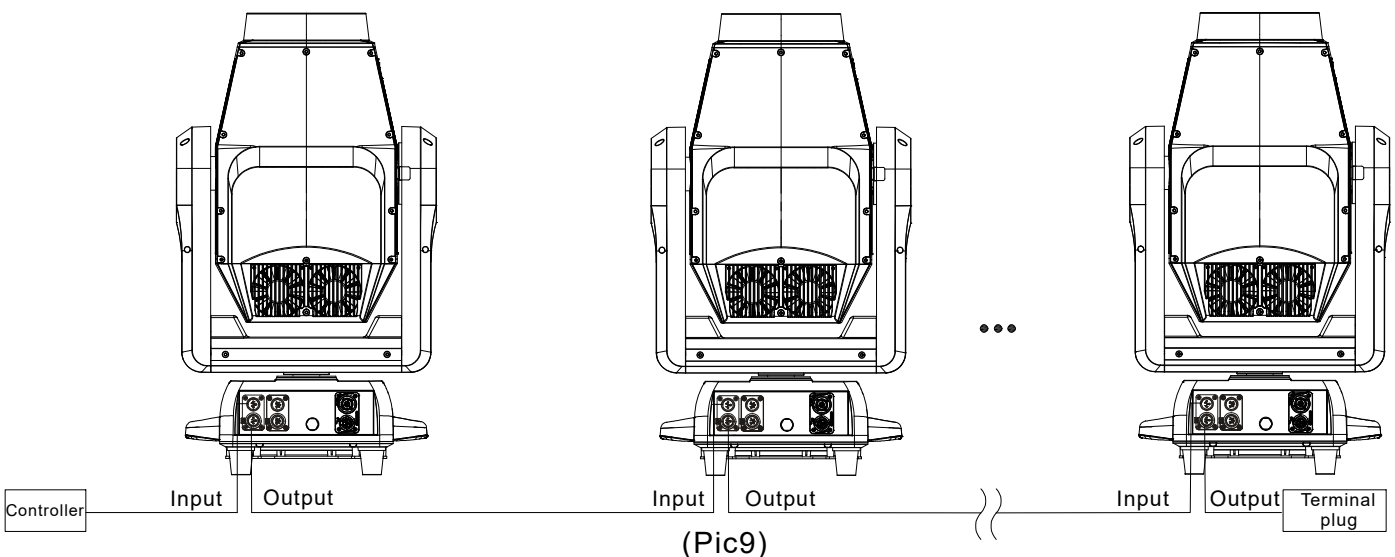
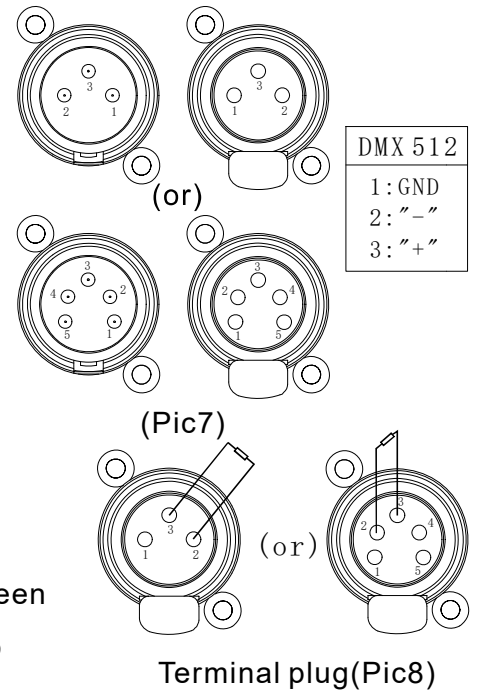
Signal connection

The fixture adopts 3pin/5pin socket to control DMX input and output, Pin1 is connected to grounded, Pin2 is connected to"-", Pin3 is connected to"+"(Pic7).

Please adopt professional DMX512 STP signal cable, usually its effective range is within 150m. When long distance signal transmission is required, please add DMX 512 signal amplifier.

To avoid the signal reflection during the transmission, please add a terminal which is 120Ω 1/4W resistance between DMX output pin2 and pin 3 of the last fixture. Plug the pin to the DMX output connector of the last fixture. (Pic8)

Connect the fixture from the DMX output of controller to DMX input of the first fixture, and then connect the first fixture's DMX output to the second fixture's DMX input and so on, until all fixtures are being connected. Then please install a terminal plug in DMX output of the last fixture. (Pic 8) The method of connection as show bellow. (Pic 9)



- Notice:
- Don't use multi- output connecter for connecting separately, It must connect the branch with DMX512 signal amplifier to separate them if it is required.
 - Standard amplifier cable is not reliable for long-distance data transmission; Please adopt professional DMX 512 STP signal cable.
 - The signal of the fixture only has one input and one output. Two input/output for each fixture are not available.

Power connection

Input voltage and frequency must be identical to the voltage and frequency marked on the fixture. When many fixtures are working at the same time, it is strongly recommended to control each fixture on/off individually.

Connection type

	Live or L	Neutral or N	Earth, Ground or ⊕
US system	Black	White	Green
EU system	Brown	Blue	Yellow/green

Notice:

- When connect power supply, please make sure the E line (yellow & green.) is properly connected. And it is corresponded with the relative electrical installation standards.
- Insulation class between LV power supply and controlling conductor: I
- Please confirm the voltage of the power supply is corresponded to the voltage on the fixture's identifications before professionals install it. Please also make sure it has overload or leakage protection.
- If the external cable is damaged, don't change it by yourself, please contact the manufacture/local as soon as possible.
- AC220V: Lighting fixture connection not surpass 3 units (2.5mm²).
- AC110V: Lighting fixture connection not surpass 2 units (12AWG).

Installation instruction& Requirement

The user need to arrange regular safety inspection for the fixtures and parts that are connected to the fixture. Please have professionals to operate if operating conditions and professional instructions are insufficient. Incorrect installation by non-professionals may leading to property loss or life danger.

Make sure there is no damage to rigging and clamps and they can bear at least 6 times weight of the fixture. Check if the truss or pipe construction can bear at least 6 times total weight of all equipment, like clamps, cables and other accessories.

G-clamp Installation

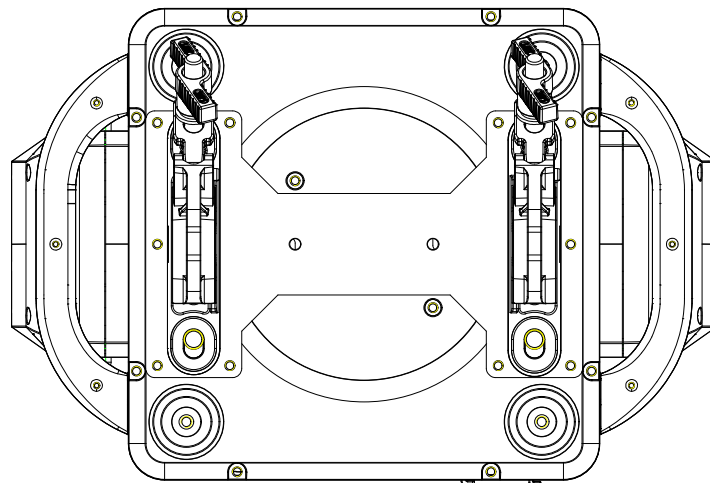
Install the G-clamp onto the base of the fixture, plug the G-clamp into the installation hole of the fixture's base. Rotate the quick lock plate into the slot tightly. Use the same installation method for the second G-clamp. (Pic10)

Fixture Installation

Fixture is installed on the stage or truss, and the G-clamp can be locked on the truss tightly and quickly. (Pic 11)

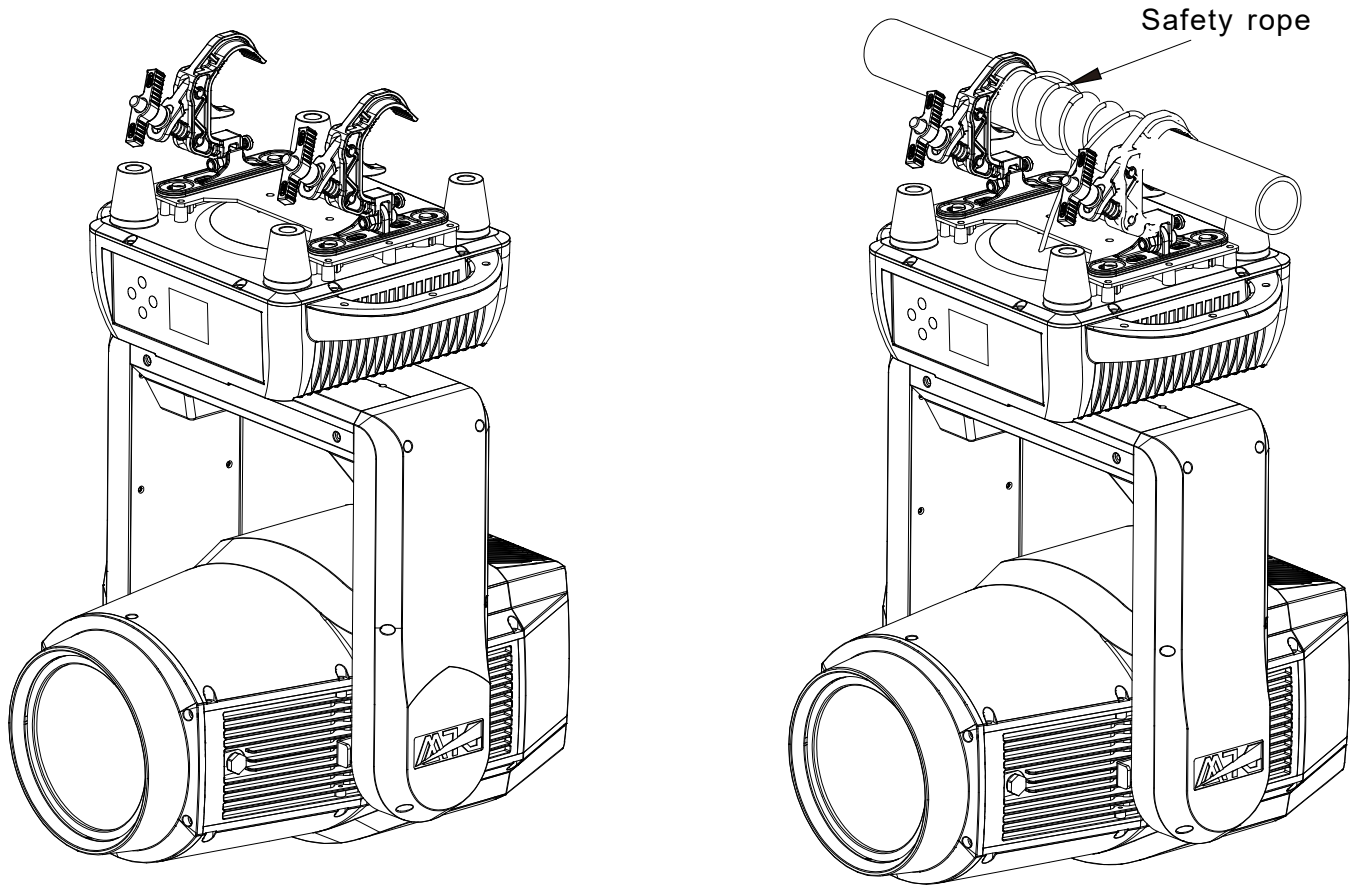
Notice:

- User must check if the G-clamp and safety chain are damaged or not.
- When hanging a fixture, the safety rope must pass through the handle.
- Please unlock the lock of tilt before power on.
- Side hanging for long time is not recommended.



Pan position

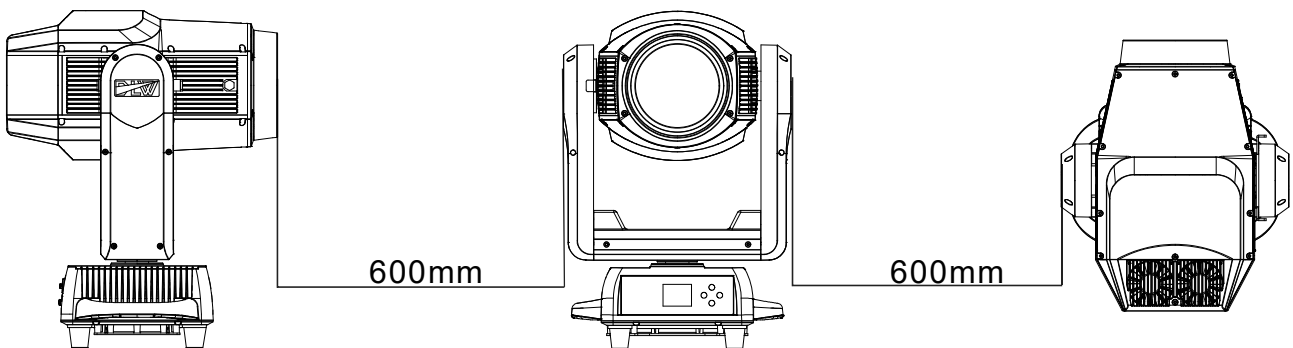
Pic10



Pic11

Fixture Placement

When place the fixture, please check there is no inflammable object or inflammable material around the fixture. Then place the fixture vertically upward. The shortest safety distance for adjacent fixtures is ≥ 0.6 m when they are working. Fixtures installation show as follow(pic 12).



Pic12

DMX Channel Sheet (Brief)

Channel	25CH	29CH	38CH
1	Pan	Pan	Pan
2	Pan Fine	Pan Fine	Pan Fine
3	Tilt	Tilt	Tilt
4	Tilt Fine	Tilt Fine	Tilt Fine
5	Strobe	Strobe	Strobe
6	Dimmer	Dimmer	Dimmer
7	Dimmer Fine	Dimmer Fine	Dimmer Fine
8	Focus	Focus	Focus
9	Zoom	Focus Fine	Focus Fine
10	Cyan	Zoom	Zoom
11	Magenta	Zoom Fine	Zoom Fine
12	Yellow	Cyan	Cyan
13	CTO	Magenta	Cyan Fine
14	Color Wheel	Yellow	Magenta
15	Gobo1	CTO	Magenta Fine
16	Gobo1 Rotate	Color Wheel	Yellow
17	Fixed Gobo	Gobo1	Yellow Fine
18	Animation	Gobo1 Rotate	CTO
19	Animation Rotate	Gobo1 Rotate Fine	CTO Fine
20	Prism1	Fixed Gobo	Color Wheel
21	Prism1 Rotate	Animation	Gobo1
22	Prism2	Animation Rotate	Gobo1 Rotate
23	Prism2 Rotate	Animation Rotate Fine	Gobo1 Rotate Fine
24	Frost	Prism1	Fixed Gobo
25	Fixture control	Prism1 Rotate	Animation
26		Prism2	Animation Rotate
27		Prism2 Rotate	Animation Rotate Fine
28		Frost	Prism1
29		Fixture control	Prism1 Rotate
30			Prism2
31			Prism2 Rotate
32			Frost
33			Frost Fine
34			Fixture control
35			Pan/Tilt speed
36			Color speed
37			Focus/zoom speed
38			Gobo speed

DMX Specific Channel Sheet

25CH	29CH	38CH	Specifications	DMX Value	Function
1	1	1	Pan	0-255	0°->540°
2	2	2	Pan Fine		
3	3	3	Tilt	0-255	0°->270°
4	4	4	Tilt Fine		
5	5	5	Strobe	0-19	Closed
				20-49	Open
				50-200	Strobe from slow to fast
				201-210	Open
				211-255	Random strobe from slow to fast
6	6	6	Dimmer	0-255	Closed-open(0%-100%)
7	7	7	Dimmer Fine		
8	8	8	Focus	0-255	From far to near
-	9	9	Focus Fine		
9	10	10	Zoom	0-255	From large to small
-	11	11	Zoom Fine		
10	12	12	Cyan	0-255	Cyan 0-100%
-	-	13	Cyan Fine		
11	13	14	Magenta	0-255	Magenta 0-100%
-	-	15	Magenta Fine		
12	14	16	Yellow	0-255	Yellow 0-100%
-	-	17	Yellow Fine		
13	15	18	CTO	0-255	CTO 0-100%
-	-	19	CTO Fine		
14	16	20	Color Wheel		Color Linear movenent
				0-136	Color Linear movenent
				137-141	Open
					Color switch
				142-146	Color1
				147-151	Color2
				152-156	Color3
				157-161	Color4
				162-166	Color5
				167-171	Color6
				172-176	Color7
				177-191	Open
				192-222	Color water from fast to slow
				223-224	Stop
225-255	Color water from slow to fast				

15	17	21	Gobo1		Positioning mode
				0-10	Open
				11-18	Gobo 1
				19-27	Gobo 2
				28-35	Gobo 3
				36-44	Gobo 4
				45-52	Gobo 5
				53-61	Gobo 6
				62-71	Gobo 7
				72-79	Gobo1 shake from slow to fast
				80-87	Gobo2 shake from slow to fast
				88-95	Gobo3 shake from slow to fast
				96-103	Gobo4 shake from slow to fast
				104-111	Gobo5 shake from slow to fast
				112-119	Gobo6 shake from slow to fast
				120-127	Gobo7 shake from slow to fast
					Rotate mode
				128-189	Anti-clockwise rotation from fast to slow
190-255	Clockwise rotation from slow to fast				
16	18	22	Gobo1 Rotate		Positioning mode
				0-127	Indexing(0-360Degree)
					Rotate mode
				128-190	Anti-clockwise rotation from fast to slow
				191-192	Stop
193-255	Clockwise rotation from slow to fast				
-	19	23	Gobo1 Rotate Fine		
					Step mode
				0-10	Open
				11-13	Gobo 1
				14-17	Gobo 2
				18-21	Gobo 3
				22-25	Gobo 4
				26-28	Gobo 5
				29-32	Gobo 6
				33-36	Gobo 7
				37-40	Gobo 8
				41-43	Gobo 9
				44-47	Gobo 10
				48-51	Gobo 11

17	20	24	Fixed Gobo	52-55	Gobo 12
					Shake mode
				56-61	Gobo1 shake from slow to fast
				62-67	Gobo2 shake from slow to fast
				68-73	Gobo3 shake from slow to fast
				74-79	Gobo4 shake from slow to fast
				80-85	Gobo5 shake from slow to fast
				86-91	Gobo6 shake from slow to fast
				92-97	Gobo7 shake from slow to fast
				98-103	Gobo8 shake from slow to fast
				104-109	Gobo9 shake from slow to fast
				110-115	Gobo10 shake from slow to fast
				116-121	Gobo11 shake from slow to fast
				122-127	Gobo12 shake from slow to fast
					Rotate mode
128-189	Anti-clockwise rotation from fast to slow				
190-255	Clockwise rotation from slow to fast				
18	21	25	Animation	0-10	Reserved
				11-255	Animation Linear Movement insert
19	22	26	Animation Rotate		Rotate mode
				1-10	Reserved
				11-131	Anti-clockwise rotation from fast to slow
				132-134	Stop
				135-255	Clockwise rotation from slow to fast
-	23	27	Animation Rotate Fine		
20	24	28	Prism1	0-10	Open
				11-255	Prism1 insert
21	25	29	Prism1 Rotate		Positioning mode
				0-127	0->360°
					Rotate mode
				128-191	Anti-clockwise rotation from fast to slow
				192-255	clockwise rotation slow to fast
22	26	30	Prism2	0-10	Open
				11-255	Prism2 insert
23	27	31	Prism2 Rotate		Positioning mode
				0-127	0->360°
					Rotate mode
				128-191	Anti-clockwise rotation from fast to slow
				192-255	clockwise rotation slow to fast

24	28	32	Frost	0-255	Frost Animation Linear Movement insert
-	-	33	Frost Fine		
25	29	34	Fixture control	0-9	Null
				10-14	Fixture reset
				15-29	Specification reset
				30-34	Pan-tilt reset
				35-49	Reserved
				50-54	1.2KHz
				55-59	6 KHz
				60-64	12KHz
				65-69	24KHz
				70-74	25KHz
				75-79	Reserved
					Dimmer Curve control
				80-84	Dimmer Curve1
				85-89	Dimmer Curve2
				90-94	Dimmer Curve3
				95-99	Dimmer Curve4
					Scene mode
100-104	Theater mode				
105-109	Quiet mode				
110-114	AUTO mode				
115-119	HIGH mode				
120-255	Reserved				
-	-	35	Pan/Tilt speed	0-255	Stepping time from fast to slow
-	-	36	Color speed	0-255	Stepping time from fast to slow
-	-	37	Focus/zoom speed	0-255	Stepping time from fast to slow
-	-	38	Gobo speed	0-255	Stepping time from fast to slow

Maintenance & cleaning of the fixture

The fixture needs to be maintained and cleaned daily, because its lifespan depends on working environment and daily maintenance. Please contact our company engineer for any questions and feedback which are out of this user manual to our professional engineer.

Notes as bellow: 

- The power supply must be cut off before open the shell.
- Please open the shell after the fixture cooled completely
- Cleaning the optics components gently to avoid scratching the surface coating, To avoid damaging plastic and scratching the surface coating, Please don't use any harmful liquid or hard objects.
- Wiping the particulate Matter with tasteless tissue-paper or cotton cloth with clean, distilled water. Don't wipe the surface, but blow away floating things with pressure gas, any residues must be cleaned with distilled water from center to edge, and then dry it with soft cotton cloth.
- Please change the lens in time when it cracks or has other damages
- It is out of warranty any damage caused by fan with overmuch dust, smoke fluidity and abnormal using fixture.
- There is temperature protection device of the fixture, when the temperature is too high the LED module will be off automatically. When this happens, please check if the fan is working well or not. Plus, checking if the fan filter is blocked by dust. Please only reset the fixture after the qualified professional technicians finish troubleshooting.
- Weekly cleaning and maintenance for the fan filters and lens is recommended. Please do a complete maintenance half a year.

Troubleshooting

The following are some problems in process of operation, and there are some suggestions for troubleshooting:

Fixture doesn't response, when power on

- Check if power input is normal.
- Check if power switch is on.
- Check if fuse is burned.

Console losing control:

- Check if the display is flicker, if yes, check if DMX signal connector and signal cable are connected well.
- If the display is not flickering, but the fixture is still have no response to the control channel instructions, please check if IP address is correctly set.
- If DMX signal is not stable, please check XLR socket and signal cable are connected well.
- Change another console for testing.

channel failure:

- Step motor or motor leading wire Maybe damaged.
- Drive circuit of motor may be damaged.

Lamp blinking:

- Check if the voltage is too high or too low, when the lamp is abnormal lighting.
- It is necessary to change the fan if the inner temperature is too high.

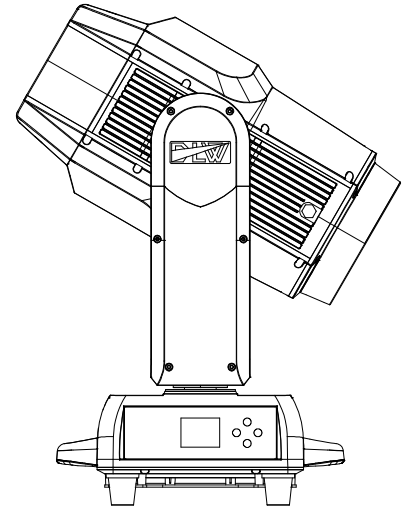
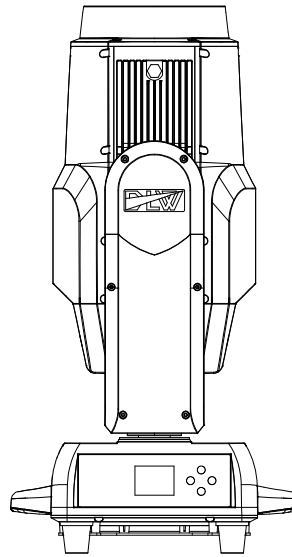
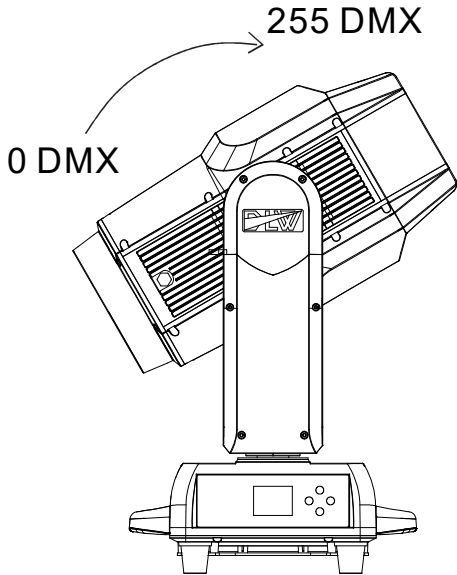
Attachment 1 Angle range and the measurement figure of the fixture

● Angle range of the fixture

Tilt= 0 DMX

Tilt= 128 DMX

Tilt= 255 DMX



Display
Pan= 0 DMX

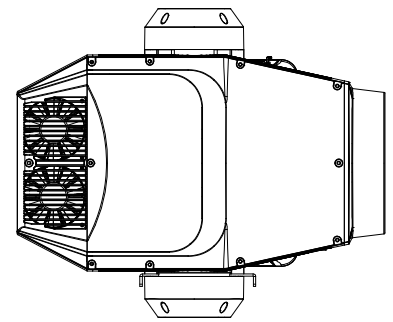
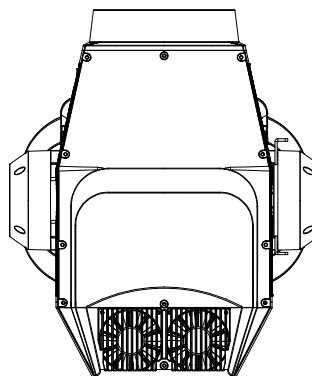
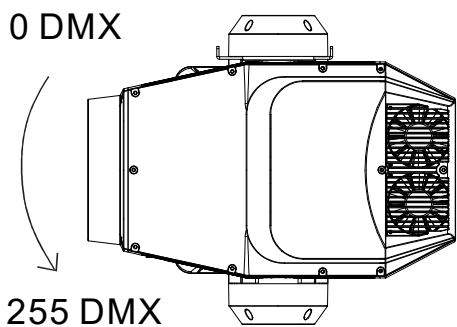
Display
Pan= 0 DMX

Display
Pan= 0 DMX

Pan= 0 DMX
Power cord

Pan= 128 DMX
Power cord

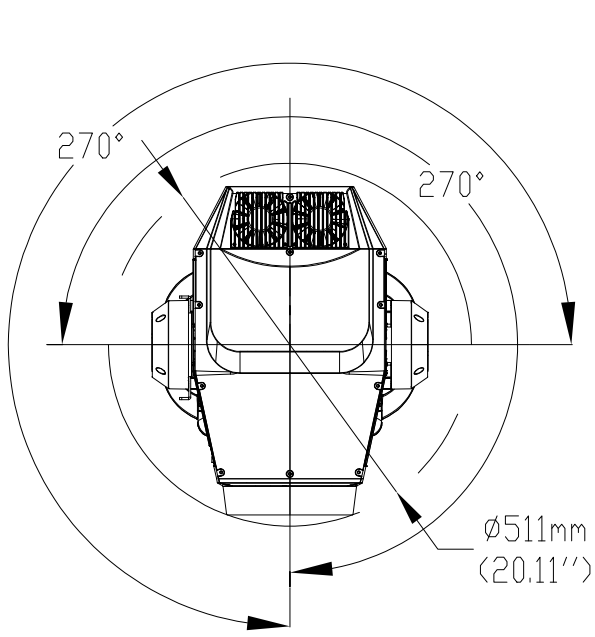
Pan= 255 DMX
Power cord



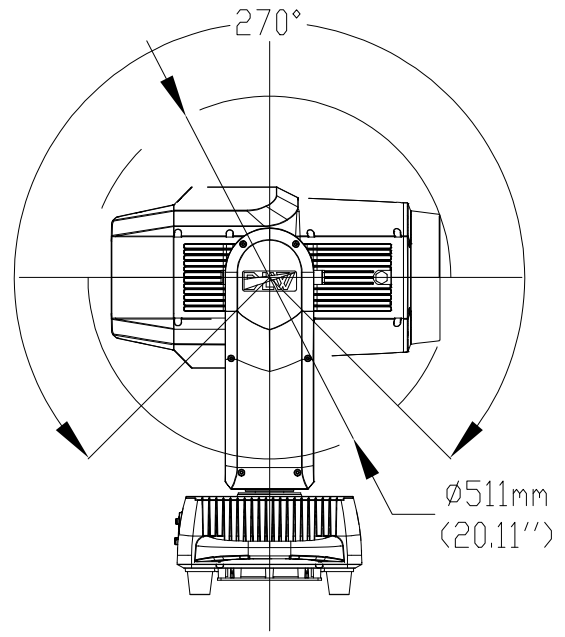
Display
Tilt= 45 DMX

Display
Tilt= 45 DMX

Display
Tilt= 45 DMX

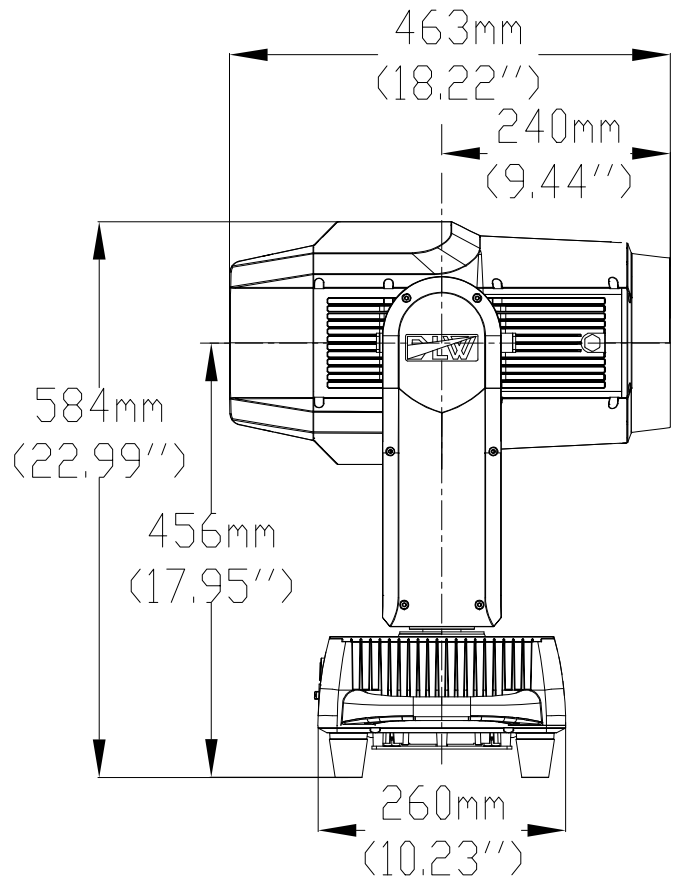
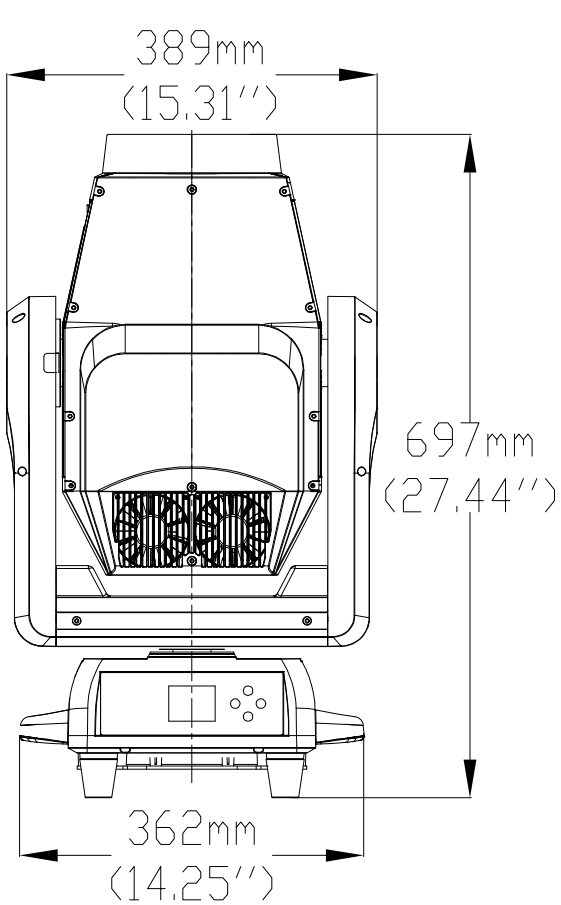


Horizontal direction

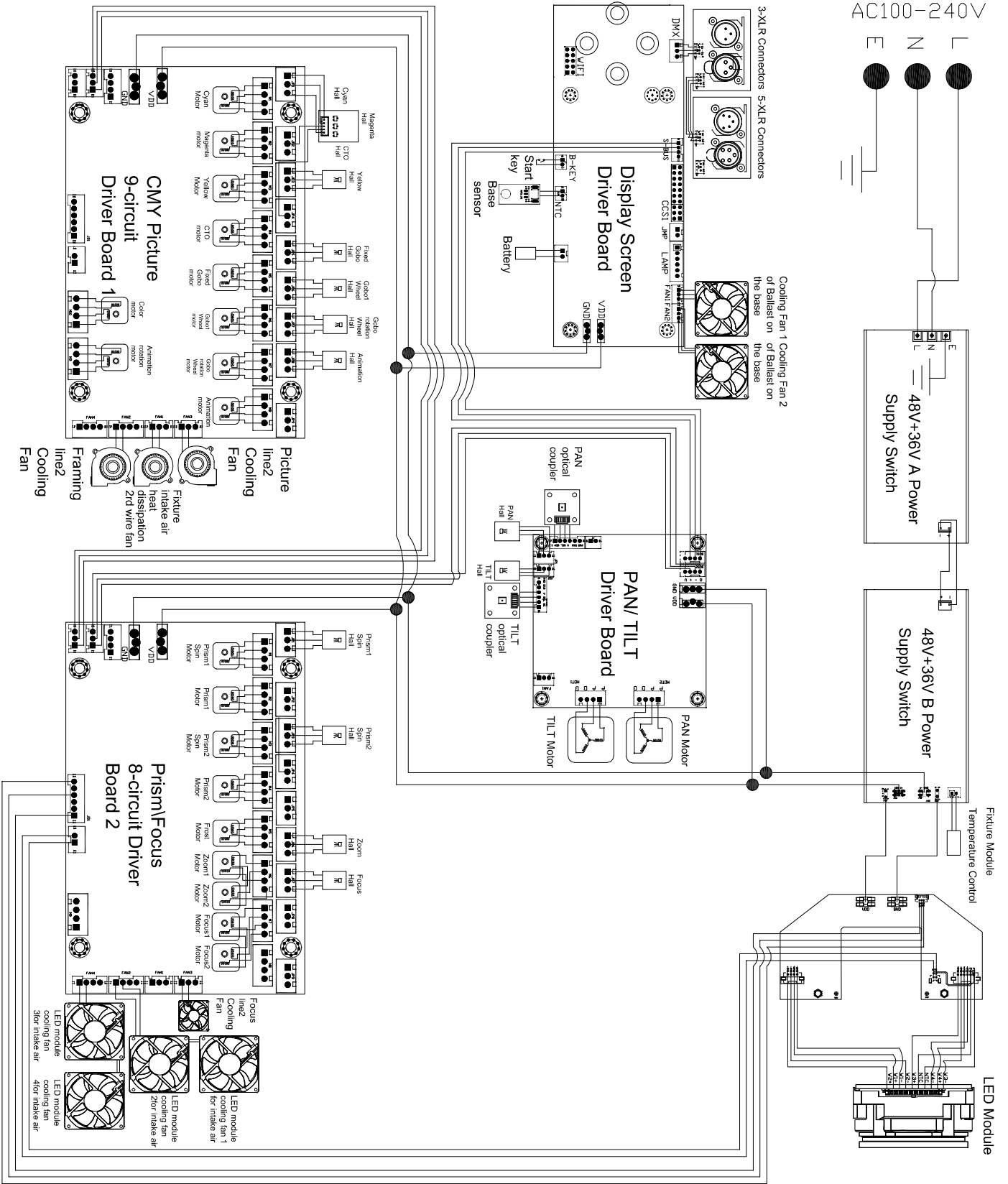


Vertical direction

● The measurement figure of the fixture



Attachment 2:Electrical Diagram





DREAMLIGHT



Guangzhou Dream Lighting Equipment Co., LTD

Add.No.21,Ruixiang Road, Xinhua Industrial Zone,
Huadu District, Guangzhou

Tel.020 8161 2345 Fax. 020 3686 6631

www.dlw-lighting.com